



V Rose Microsystems, Inc.

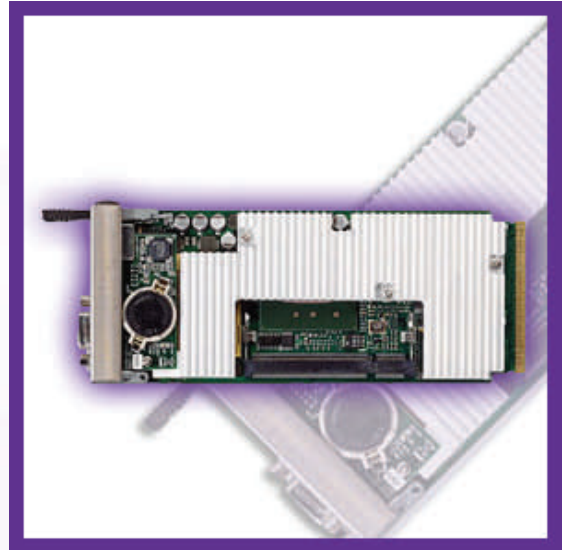
www.vrosemicrosystems.com

VRM-AMC-1000

Product Data Sheet

Overview:

The VRM-AMC-1000 is an optimized mid-size or full-size processor AMC. It features the Intel® Core™2 Duo 64-bit processors and 3100 server class integrated chipset to balance power consumption, computing power and IO throughput. The AMC.1 ports can be two x4 or eight x1 PCI Express® ports and AMC.2 E2 provides two GbE ports to support high speed data transport. An industrial standard DDR2-400 SO-RDIMM socket supports up to 4 GB system memory with ECC protection. Soldered down 4 GB USB interfaced flash memory and AMC.3 S2 SATA ports can support on-board and off-board storage. In addition, analog RGB up to 1600 x 1200 UXGA resolution is also integrated to support various applications on ATCA or MicroTCA platforms.



Features:

- Intel Core 2 Duo processor
- Server class Intel 3100 chipset
- AMC.0 single-width, mid-size
- AMC. Type 1/4 AMC.2 E2 and AMC.3 S2 (SATA)
- Single DDR2-400 SO-RDIMM socket up to 2 GB capacity
- On board 4 GB flash and graphics control

CPU/Chipset/Ram

- Intel Core 2 Duo Processor
- Chipset: Intel 3100 chipset
- Memory: Single DDR2-400 200-pin SO-RDIMM Socket, 4GB

BIOS

- Flash: Award BIOS with 4 Mb flash memory
- Intel PXE pre-boot Remote Control

I/O Interfaces

- Graphics: ATI ES1000 with 64MB DDR, up to UXGA 1600 x 1200 Resolution
- USB: V2.0, Type B
- AMC.0 single width, mid-size
- AMC.1 PCI Express Type 1/4 or 8x PCIe x1
- AMC.2 Gigabit Ethernet Type E2
- AMC.3 SATA storage type S2
- Storage: On-board 4GB USB Flash
- RTM: USB Port 19-20 / SATA PORT 15-18
- Front Panel I/Os: VGA, USB, COM

Mechanical and Environmental

- AMC.0 Advanced Mezzanine Card R2.0
- Dimensions: 181.5mm x 73.55mm x 18.96mm (mid size), 181.5mm x 73.55mm x 28.95mm (full size).
- Weight: 450g (1 lb)
- Operating Temperature: -5C to 55C
- Storage Temperature: -20C to 8C
- Humidity: 5% to 95%, non-condensing
- Shock: 15G peak-to-peak, 11ms duration, non-operation
- Vibration: non-operation: 1.88Grms, 5-500Hz each axis, Operation: .5Grms, 5-200 Hz each axis.
- Power consumption: AMC-1000/L7400/M2G, 36W
- Certification: FCC, CE, CUL, NEBS Level 3 Design

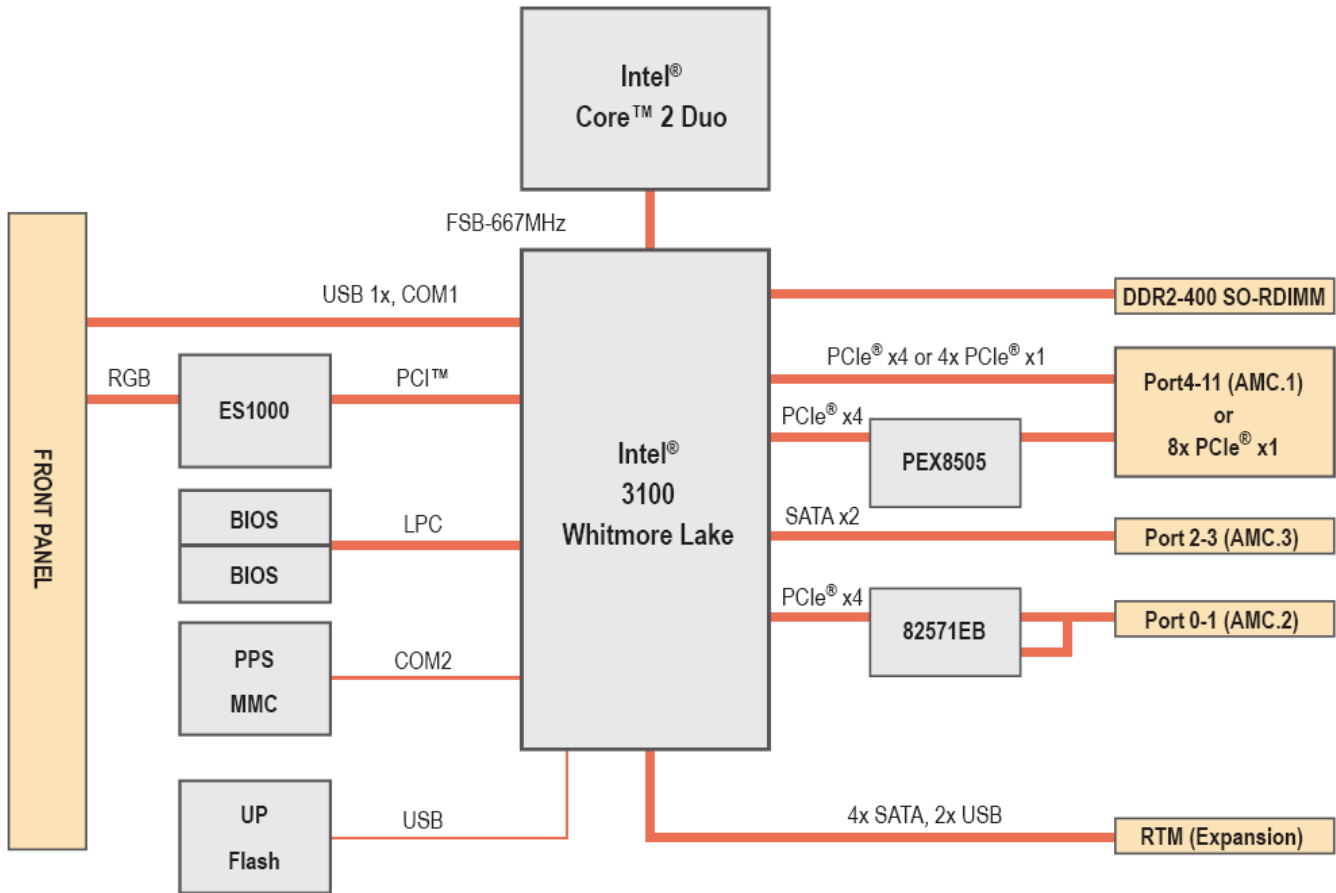


V Rose Microsystems, Inc.

www.vrosemicrosystems.com

VRM-AMC-1000

Product Data Sheet



Ordering:

VRM-AMC-1000/ULV423/M512: PrAMC Intel® Celeron® M ULV 423 1.05 GHz, 512 MB SORDIMM

VRM-AMC-1000/U2500/M1G: PrAMC Intel® Core™ Duo U2500 1.2 GHz, 1 GB SORDIMM

VRM-AMC-1000/L7400/M2G: PrAMC Intel® Core™ 2 Duo L7400 1.5 GHz, 2 GB SORDIMM