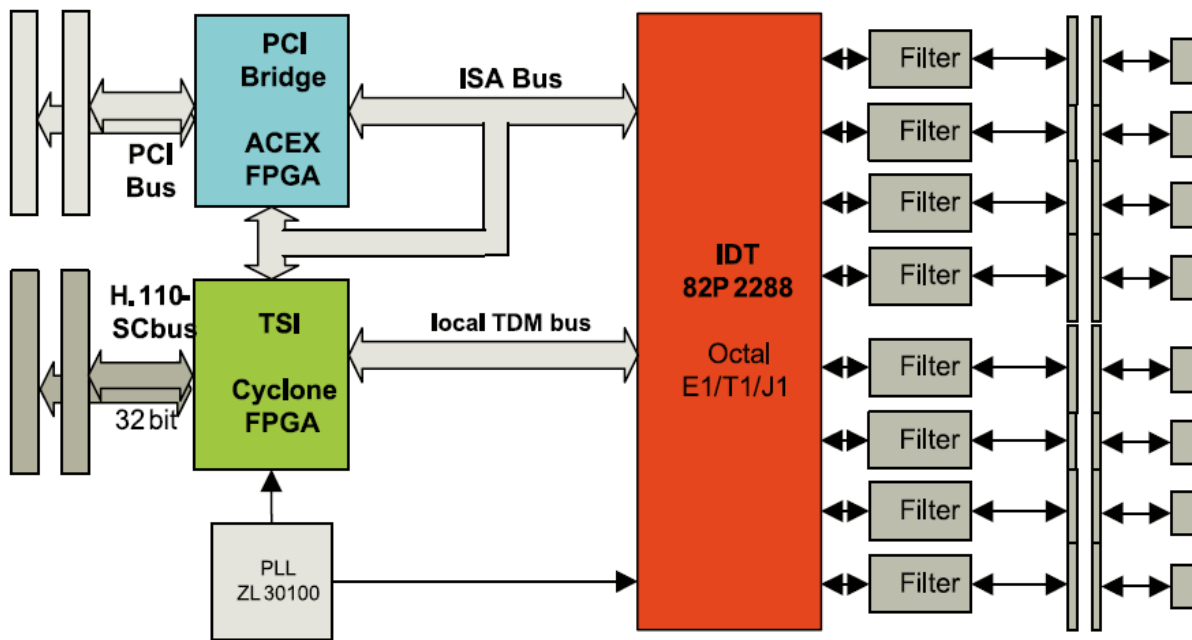


Overview:

The **VRM-PMC-8E1/T1/J1** is a telecommunications interface board in PMC (PCI mezzanine card) form factor. The module provides a highly scalable solution to telecom applications with the requirement of cost-effective E1/T1/J1 access. Equipped with onboard H.110/SCbus controller and eight primary rate E1, T1 or J1 interfaces, the **VRM-PMC-8E1/T1/J1** provides an ideal and efficient interface for use with VME, PCI, CompactPCI and proprietary platforms.



Features:

- **PCI Interface and Compliance-** PCI Rev 2.2, 33MHz/32bit
- **H.110 Bus (and subsets thereof)-** H.110 (PTMC) and SCSA subset
- **Line Interfaces-** Four RJ45 connectors, implementing the 8 E1/T1/J1 line interfaces
- **Operating System Support-** OK-1, VxWorks, LINUX
- **Power Consumption-** 3.3V 0.8A, 5V 0.1A
- **Environmental-** Temperature Operating: 0°C to +60°C with forced air cooling  
Temperature Storage: -40°C to +85°C  
Relative Humidity: 10% to 90% at +55°C (non-condensing)
- **Standard Compliance-** P1386 and P1386.1/ Draft 2.0
- **Applications-** High density multiplexers, multi-service switches, edge routers and digital modems  
Frame relay switches and access devices  
Digital access cross-connect systems  
Central office applications  
PBX and PABX applications  
Gateways

