



V Rose Microsystems, Inc.

www.vrosemicrosystems.com

VRM-T6M-100

Product Data Sheet

Overview:

The **VRM-T6M-100** Tilera 64-core Processor Card is a high-performance processor AdvancedMC™ (PrAMC) card designed for use in ATCA or MicroTCA systems. The T6M-100 is compliant with PICMG AMC.0 Revision 2.0 Mid-Size or Full-Size form factor standards. Featuring the Tilera® TILE64™ processor offering 64 general purpose cores running at 700MHz and over 20Gbps of full-duplex I/O, the T6M-100 has 2GB of 4-channel 64-bit wide DDR2 memory running at 800 MHz.

The VRM-T6M-100 is suitable for general processing, network security, network infrastructure, packet inspection, digital multimedia, video processing, signal processing and wireless infrastructure applications.



The VRM-T6M-100 is available in three I/O configuration options:

1. AMC.2 Type 6 Dual 10GigE to the backplane
2. Tile64 Port 1 to SFP+ on the front panel, Port 0 to backplane lanes 8-11
3. Tile64 Port 0 to SFP+ on the front panel, Port 1 to backplane lanes 4-7

Features:

Central Processing Units (CPUs)

- 64 general purpose RISC-based cores running at 700MHz
- 2 GB of DDR2 memory running at 800MHz
- 2 10Gbps XAUI interfaces
- 2 IGbps interfaces
- Supports SMP LINUX and has a standard C/C++ tool set

I/O Capabilities

- Dual 10G Connections
- AMC.2 Type 6, Dual 10GigE (Lanes 4-7, 8-11)
- Front-panel SFP+ module bay (either TILE64 XAUI interface) AMC.2 Dual 1000Base-BX Ports configured as Type E2 (Lanes 0, 1)
- RS-232 on Front Panel (RJ-12)

Mass Storage

- 1-8 GB Solid State Drive (SSD)

Firmware Boot Options

- Network boot (GigE or 10GigE ports)
- SSD boot

Mechanical

- Standard AMC Full-Size or Mid-Size form factor

Environmental

- Operating Temperature: 0 to 55C
- Humidity: 0 to 95% (non-condensing)
- Typical Power: < 40W, Worst-case Power consumption: 48W

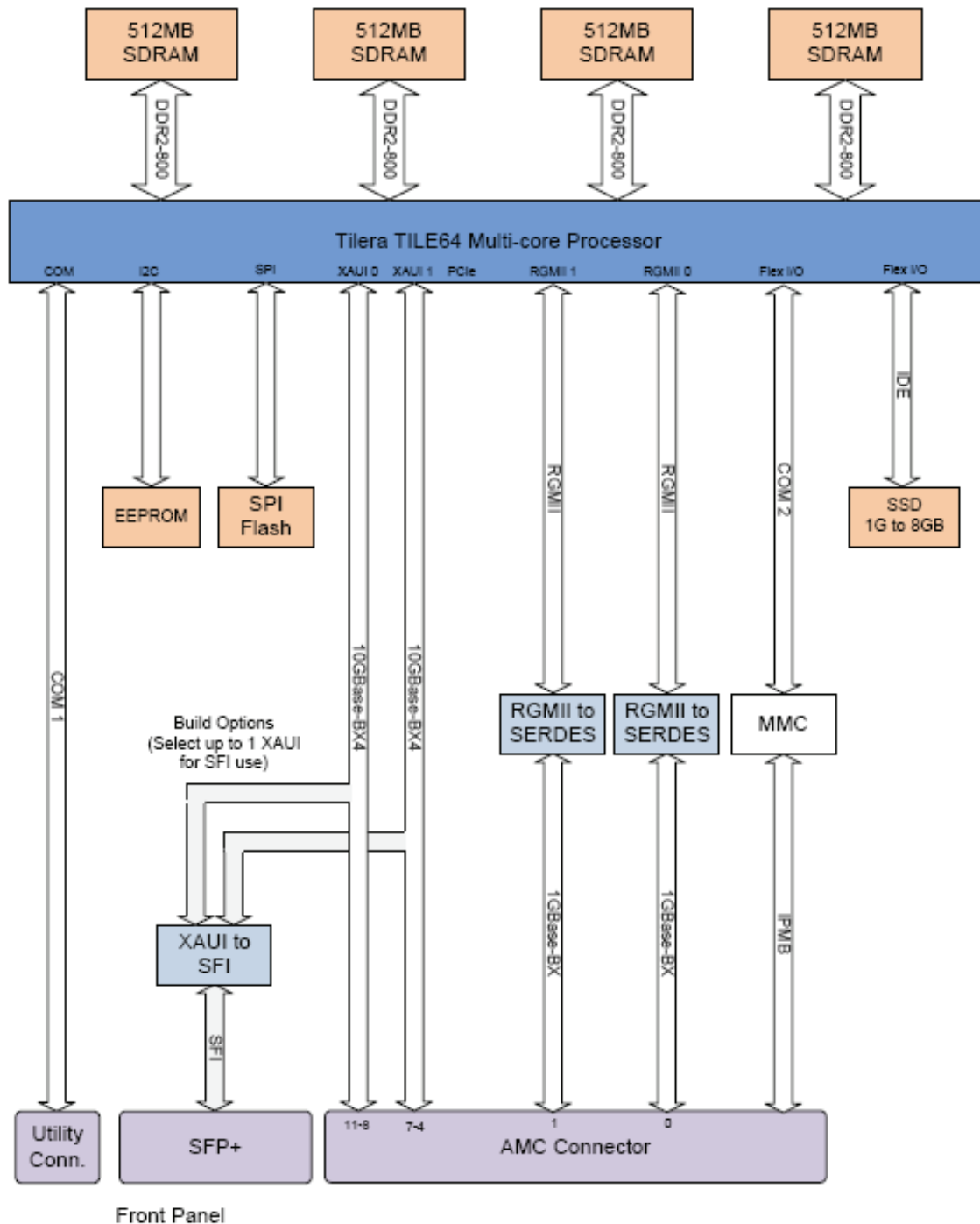


V Rose Microsystems, Inc.

www.vrosemicrosystems.com

VRM-T6M-100

Product Data Sheet



Ordering:

VRM-T6M-100: Tiler 64-Core Processor Card